

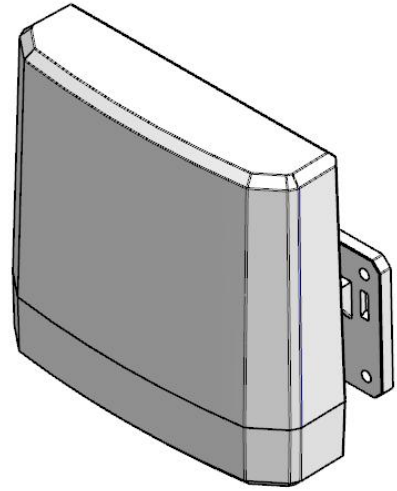
# Multi Band Patch Antenna

824~894 / 1745~2170 MHz / 6 / 8 dBi

## CPI-PA-0608

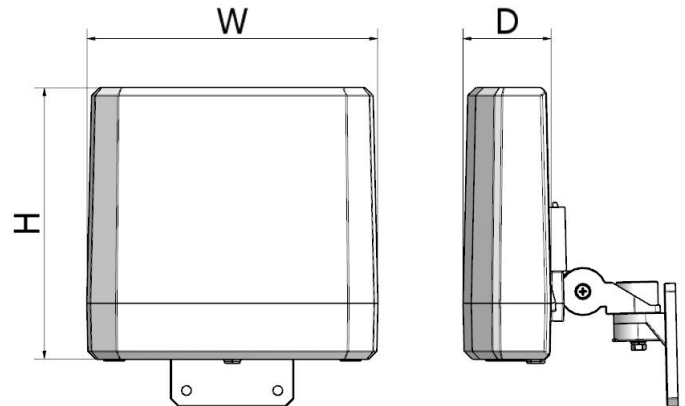
### i. Electrical Specification

Frequency Range	824~894MHz	1745~2170MHz	
Polarization	Vertical	Vertical	
Band Width	70 MHz	425 MHz	
Gain	6dBi 이상	8dBi 이상	
Beam width	Horizontal	80° ±10°	65° ±10°
	Vertical	80° ±10°	65° ±10°
F-B ratio (Horizontal & Vertical)	-	-	
VSWR	≤ 1.5 :1	≤ 1.5 : 1	
Impedance	50 Ω		
IMD (3rd)	-140dBc 이하 @ 2x30dBm		
Maximum input power	50W		

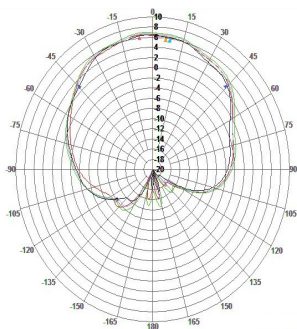


### ii. Mechanical Specification

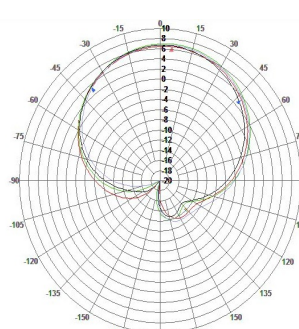
Radom Dimension (HxWxD)	170 x 182 x 55 mm
Weight ( Include bracket )	0.5 Kg 이하
Connector Type	N-J (Female)
Withstand Wind Pressure	60 m/sec
Radome Material	ASA
Radome Color	Cool Gray 1C, Cool Gray 4C
Mechanical Down Tilt	Up, Down ± 30°
	Left, Right ± 30°
Temperature	-40 °C ~ 70 °C
Packing Size (H x W x D) 10SET	-
Packing Weight 10SET	-



### iii. Radiation Pattern



Horizontal Pattern



Vertical Pattern